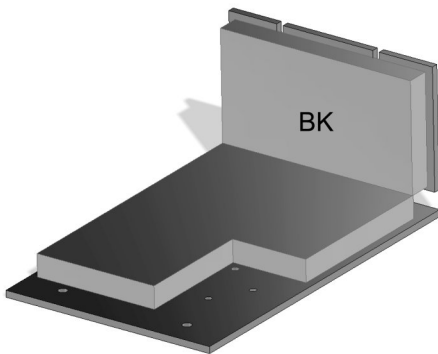


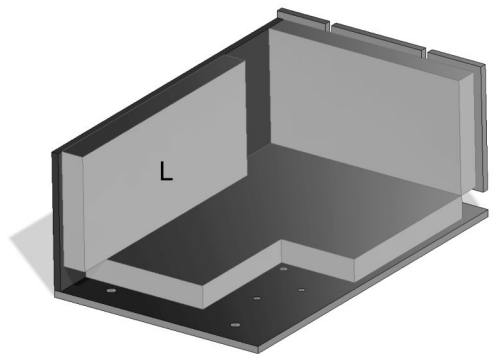
PHITS Y2K - Assembly manual



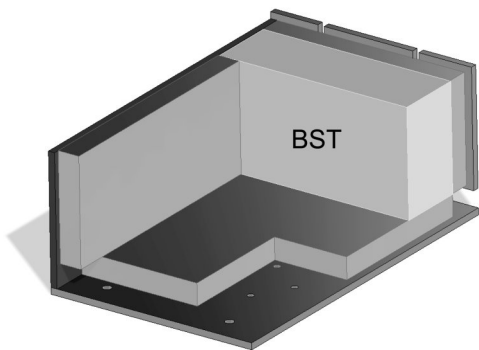
1. Remove all the screws and take the speaker's top and frontal covers apart. Remove the filter and the connectors plates.
2. Place plate B making sure the holes match the nuts base.
3. Replace filters and connectors plates.



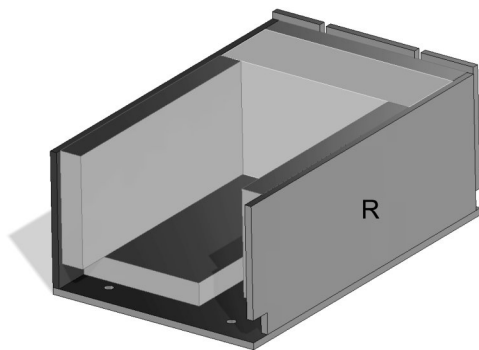
4. Place plate BK at the back cover. All the plates are cut to fit between them.



5. Place plate L.



6. Place plate BST.



7. Place plate R.

8. Replace the front cover matching the lower side.

9. Place plate T as shown in the picture.

10. Replace the top cover and all the screws.



Brand your SP-2000 and enjoy the new sound!

**Some models may vary from this manual.*